

IKOfix PEELSTOP BAR

PRODUCT INFORMATION

Used for securing the Armourplan or Spectraplan membrane at the perimeter of an adhered IKO polymeric roofing system. Should be installed at the roof perimeter and at the base of upstands / penetrations using suitable IKOfix fasteners in accordance with IKO Polymeric technical guidelines.

Description	Adhered System Restraint
Material	Steel
Length	2125mm
Width	30mm
Thickness	0.8mm
Hole Diameter	6.5mm/15mm
Product Number	05490215

FEATURES & BENEFITS

- Cold Application
- Quick and easy installation
- Cost effective application



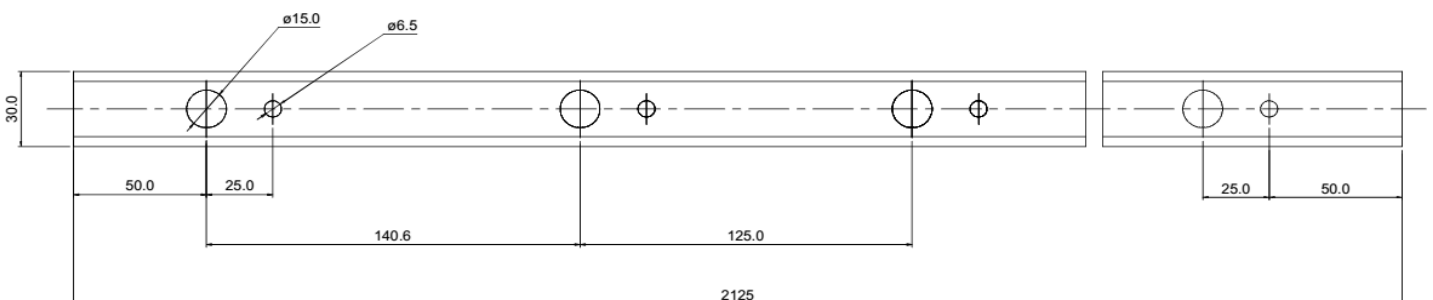
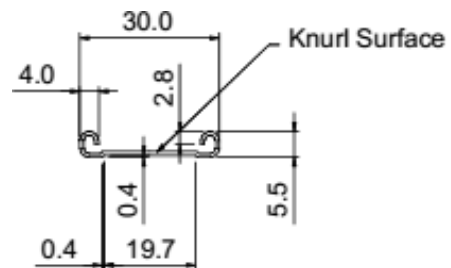
INSTALLATION

Position the Peelstop bar and secure using suitable IKOfix fasteners at maximum centres of 265mm. Allow a 10mm gap between lengths of Peelstop bar. Cover the bar ends with a sacrificial layer of membrane to protect the waterproofing from sharp edges.



TECHNICAL SPECIFICATION

Material	Steel
Length	2125mm
Gauge	0.8mm
Gauge Tolerance	±0.07mm
Length Tolerance	±3.0mm
General Tolerance	±0.4mm



STORAGE

IKOfix Peelstop Bars should be kept dry. They should be stored raised off the surface of the roof and covered with a suitable waterproof layer.

FURTHER PRODUCT INFORMATION

Full product literature, health & safety and technical sheets are available as downloads from our website www.ikopolymeric.com or on request by email polymeric.marketing@iko.com.